

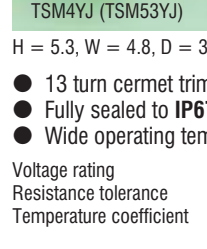
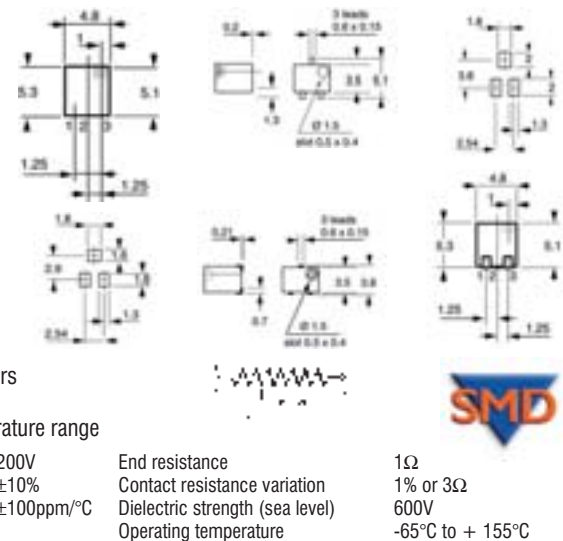


Style	Order Code	1+	50+	100+	250+	+
3224J	All Values	194.00	176.00	163.00	141.00	--
3224W	All Values	179.00	163.00	151.00	141.00	--

0.25 Watt - TSM4 Series - 4mm Square Sealed (Formerly TSM53 Series)

H = 5.3, W = 4.8, D = 3.5

- 13 turn cermet trimmers
- Fully sealed to IP67
- Wide operating temperature range

Voltage rating	200V	End resistance	1Ω
Resistance tolerance	±10%	Contact resistance variation	1% or 3Ω
Temperature coefficient	±100ppm/°C	Dielectric strength (sea level)	600V
		Operating temperature	-65°C to +155°C

Stocked in the following OHMIC Values:

TSM4YL (TSM53YL)

100R = 114-1356	1K = 114-1359	10K = 114-1362	100K = 114-1366	500K = 114-1368
200R = 114-1357	2K = 114-1360	20K = 114-1364	200K = 114-1367	1M = 114-1369
500R = 114-1358	5K = 114-1361	50K = 114-1365		

TSM4YJ (TSM53YJ)

100K = 114-1342	1K = 114-1345	10K = 114-1348	100K = 114-1352	500K = 114-1354
200R = 114-1343	2K = 114-1346	20K = 114-1349	200K = 114-1353	1M = 114-1355
500R = 114-1344	5K = 114-1347	50K = 114-1350		

TSM4ZJ

100R = 879-2437	1K = 879-2461	10K = 879-2496	100K = 879-2526	500K = 879-2542
200R = 879-2445	2K = 879-2470	20K = 879-2500	200K = 879-2534	1M = 879-2550
500R = 879-2453	5K = 879-2488	50K = 879-2518		



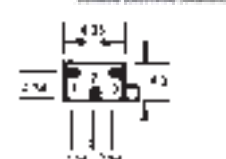
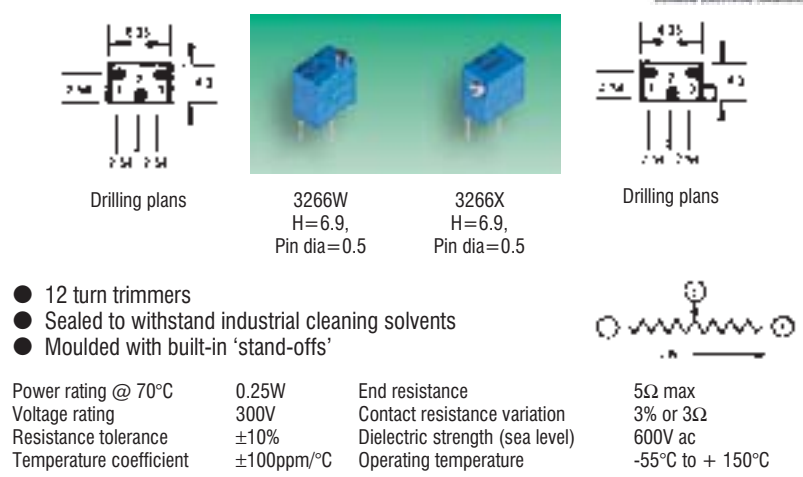
TSM4ZL

100R = 879-2569	1K = 879-2593	10K = 879-2623	100K = 879-2658	500K = 879-2674
200R = 879-2577	2K = 879-2607	20K = 879-2631	200K = 879-2666	1M = 879-2682
500R = 879-2585	5K = 879-2615	50K = 879-2640		

Style	Order Code	1+	50+	100+	250+	+	+
TSM4YL	All Values	143.00	133.00	123.00	97.00	--	--
TSM4YJ	All Values	143.00	133.00	123.00	97.00	--	--
TSM4ZJ	All Values	149.00	140.00	128.00	107.00	--	--
TSM4ZL	All Values	149.00	140.00	128.00	107.00	--	--

1/4" (6.35mm) Multi Turn Cermet Trimmers

0.25 Watt - 3266 Series

H = 6.9, Pin dia = 0.5

- 12 turn trimmers
- Sealed to withstand industrial cleaning solvents
- Moulded with built-in 'stand-offs'

Power rating @ 70°C	0.25W	End resistance	5Ω max
Voltage rating	300V	Contact resistance variation	3% or 3Ω
Resistance tolerance	±10%	Dielectric strength (sea level)	600V ac
Temperature coefficient	±100ppm/°C	Operating temperature	-55°C to +150°C

Stocked in the following OHMIC Values:

3266W




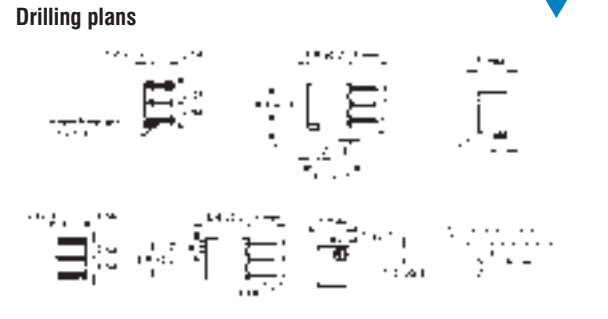
10R = 935-2627	200R = 935-2694	5K = 935-2759	100K = 935-2660
20R = 935-2686	500R = 935-2740	10K = 935-2651	200K = 935-2724
50R = 935-2732	1K = 935-2643	20K = 935-2716	500K = 935-2775
100R = 935-2635	2K = 935-2708	50K = 935-2767	1M = 935-2678

3266X

100R = 935-2783	1K = 935-2791	10K = 935-2805	100K = 935-2813
200R = 935-2821	2K = 935-2830	20K = 935-2848	200K = 935-2856
500R = 935-2864	5K = 935-2872	50K = 935-2880	500K = 935-2899

Style	Order Code	1+	50+	100+	500+	+
3266W	All Values	133.00	122.00	114.00	91.00	--
3266X	All Values	124.00	114.00	104.00	91.00	--

0.25 Watt - T63 Series

H = 6.8 Pin dia. = 0.45

- 15 turn cermet trimmers
- Sealed to IP67
- Low contact resistance
- Wide operating temperature range variation

Power rating @ 70°C	0.25W	Resistance tolerance	±10%
End resistance	1R	Dielectric strength	1000V
Voltage rating	250V	Temperature coefficient	±100ppm/°C
Contact resistance variation	2% or 2Ω	Operating temperature	-55°C to +155°C

Available in the following OHMIC Values:

T63XB

100K = 114-1426	1K = 114-1431	10K = 114-1434	100K = 114-1437	500K = 114-1439
200R = 114-1427	2K = 114-1432	20K = 114-1435	200K = 114-1438	1M = 114-1440
500R = 114-1428	5K = 114-1433	50K = 114-1436		






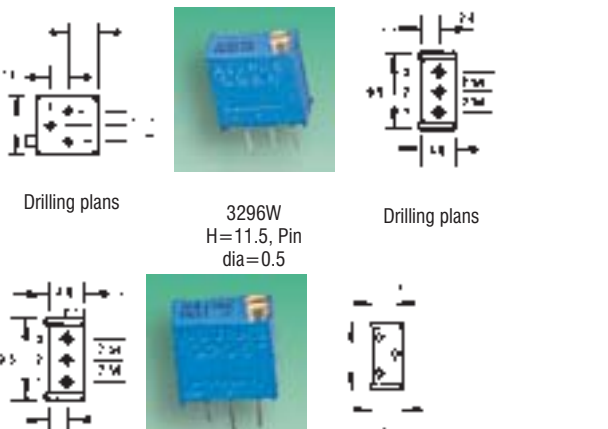
T63YB

100R = 114-1441	1K = 114-1445	10K = 114-1448	100K = 114-1451	500K = 114-1453
200R = 114-1443	2K = 114-1446	20K = 114-1449	200K = 114-1452	1M = 114-1455
500R = 114-1444	5K = 114-1447	50K = 114-1450		

Style	Order Code	1+	50+	100+	500+	+
T63XB	All Values	180.00	166.00	155.00	105.00	--
T63YB	All Values	180.00	166.00	155.00	105.00	--

3/8" (11.0mm) Multi Turn Cermet Trimmers

0.5 Watt - 3296 Series

H = 4.83, Pin dia = 0.5

H = 11.5, Pin dia = 0.5

H = 10.3, Pin dia = 0.5

H = 11.5, Pin dia = 0.5

- 25 turn trimmers
- Sealed to withstand industrial cleaning solvents
- Moulded with built-in 'stand-offs'

Power rating @ 70°C	0.5W	End resistance	2R max
Voltage rating	300V	Contact resistance variation	1% or 3Ω whichever >
Resistance tolerance	±10%	Dielectric strength (sea level)	900V ac
Temperature coefficient	±100ppm/°C	Operating temperature	-55°C to +150°C

Stocked in the following OHMIC Values:

3296P

100R = 237-450	500R = 935-3119	5K = 237-504	20K = 935-3097	200K = 935-3100
100R = 935-3020	1K = 237-486	5K = 935-3127	50K = 237-530	500K = 237-565
200R = 237-462	1K = 935-3038	10K = 237-516	50K = 935-3135	500K = 935-3143
200R = 935-3070	2K = 237-498	10K = 935-3046	100K = 935-3054	1M = 237-577
500R = 237-474	2K = 935-3089	20K = 237-528	200K = 237-553	1M = 935-3062

3296W

10R = 476-171	100R = 935-3160	2K = 347-840	50K = 347-887	500K = 935-3313
10R = 935-3151	200R = 347-814	2K = 935-3232	50K = 935-3305	1M = 935-3208
20R = 476-183	200R = 935-3224	5K = 935-3291	100K = 935-3194	2M = 476-262
20R = 935-3216	500R = 347-826	10K = 935-3186	200K = 347-905	2M = 935-3267
50R = 476-195	500R = 935-3283	20K = 347-875	200K = 935-3259	5M = 476-274
50R = 935-3275	1K = 935-3178	20K = 935-3240	500K = 347-917	5M = 935-3321
100R = 347-802				

3296X

10R = 476-201	100R = 935-3348	2K = 935-3410	50K = 348-016	500K = 348-041
10R = 935-3330	200R = 935-3402	5K = 347-980	50K = 935-3470	500K = 935-3488
20R = 476-213	500R = 935-3453	5K = 935-3461	100K = 348-028	1M = 348-053
20R = 935-3399	1K = 347-966	10K = 935-3364	100K = 935-3372	1M = 935-3380
50R = 476-225	1K = 935-3356	20K = 348-004	200K = 348-030	2M = 476-286
50R = 935-3445	2K = 347-978	20K = 935-3429	200K = 935-3437	5M = 476-298
100R = 347-930				

Resistors, Potentiometers & Thermistors

17

Compliant Non-compliant Limited stock - RoHS replacement available

RoHS